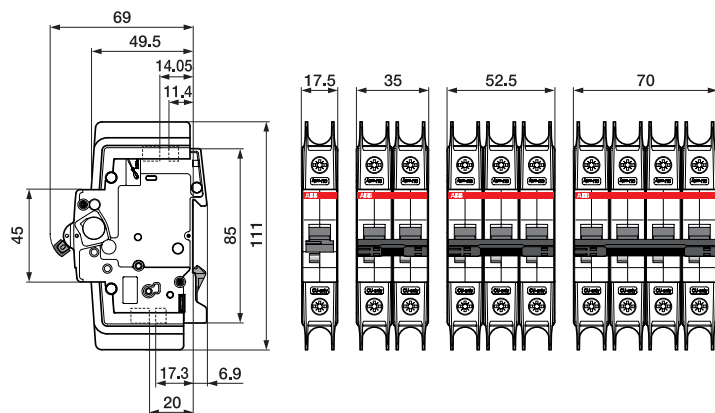
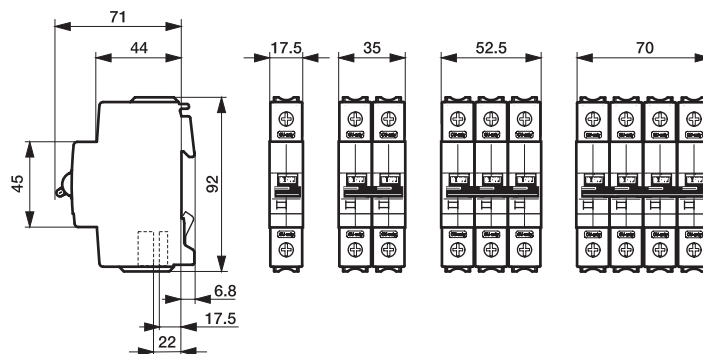


Approximate dimensions SU200M, SU200MR, and S200UDC—UL 489, CSA 22.2 No. 5

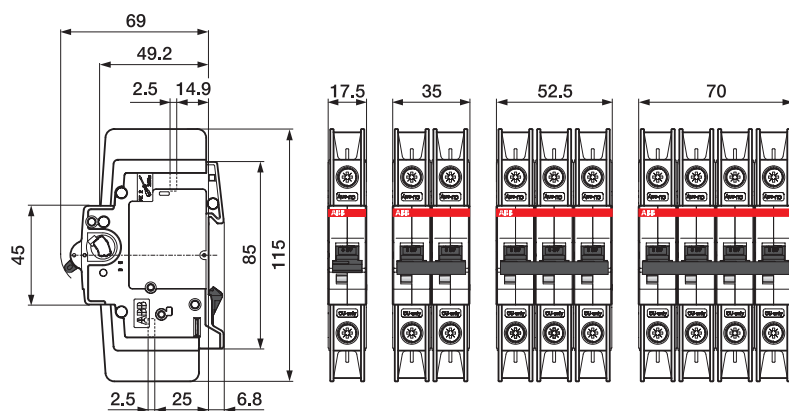
SU200M



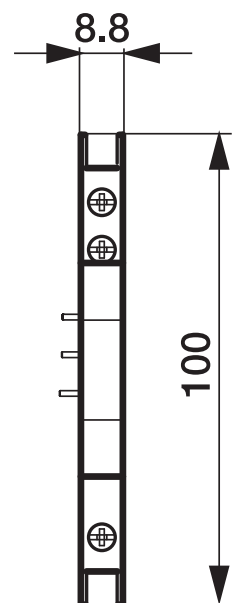
S200UDC



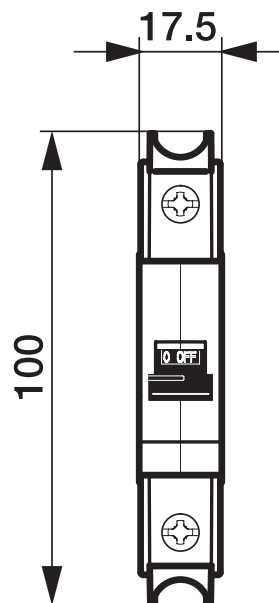
SU200MR



S2C-H6RU, S2C-S6RU



S2C-A..U



Dimensions in (mm)